

OPTIONS

BRAKE TYPE:

DISC

BRAKE ROUTING:

INTERNAL

SHIFTER TYPE:

MECH

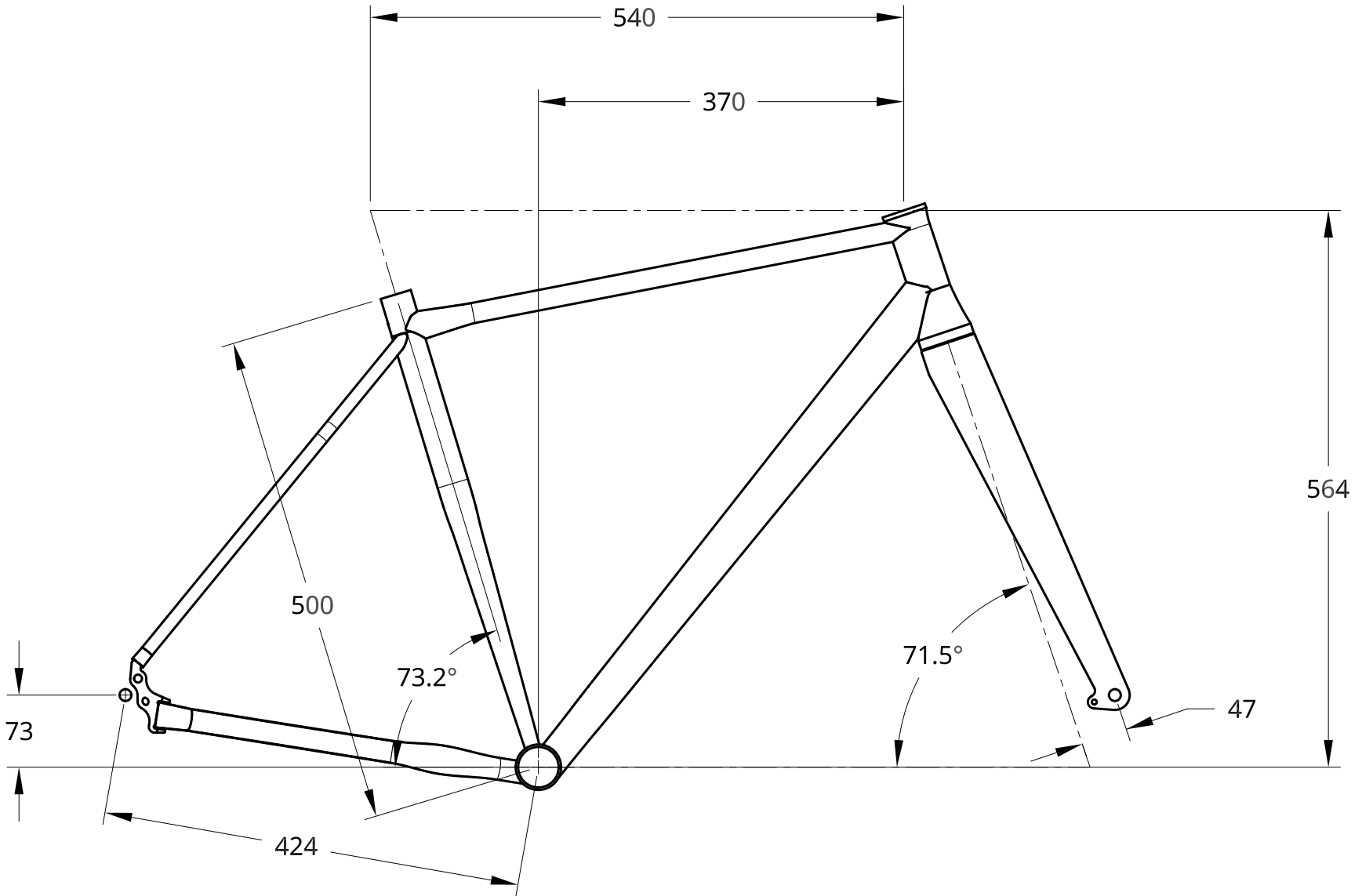
SHIFTER ROUTING:


INTERNAL

RACK MOUNTS:

FENDER MOUNT:

3RD BOTTLE MOUNTS:



		GEOMETRY		CLIENT: --	
SWO NO:	DATE:	MODEL:	GEOMETRY:	SIZE:	
	01/25/2019	T-LAB X3	GRAVEL	SMALL	
DRAWN BY:		REVISIONS:	CLIENT SIGNATURE:		
F. LAROUCHE					

NOTE : DIMENSIONS ARE IN MM (UNLESS OTHERWISE SPECIFIED)